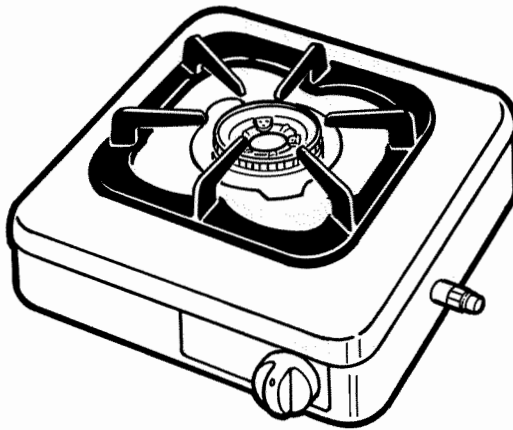


Rinnai



RETS-1NEA

OPERATING, SERVICING AND
INSTALLATION INSTRUCTIONS



WARNING: IF THE INFORMATION IN THIS MANUAL IS NOT FOLLOWED EXACTLY, A FIRE OR EXPLOSION MAY RESULT CAUSING PROPERTY DAMAGE, PERSONAL INJURY OR LOSS OF LIFE.

DO NOT STORE OR USE GASOLINE OR OTHER FLAMMABLE VAPORS AND LIQUIDS IN THE VICINITY OF THIS OR ANY OTHER APPLIANCE.

WHAT TO DO IF YOU SMELL GAS

- DO NOT TRY TO LIGHT ANY APPLIANCE.
- DO NOT TOUCH ANY ELECTRICAL SWITCH; DO NOT USE ANY PHONE IN YOUR BUILDING.
- IMMEDIATELY CALL YOUR GAS SUPPLIER FROM A NEIGHBOR'S PHONE. FOLLOW THE GAS SUPPLIER'S INSTRUCTIONS.
- IF YOU CANNOT REACH YOUR GAS SUPPLIER, CALL THE FIRE DEPARTMENT.

INSTALLATION AND SERVICE MUST BE PERFORMED BY A QUALIFIED INSTALLER, SERVICE AGENCY OR THE GAS SUPPLIER.

**BEFORE USING THIS UNIT, PLEASE READ
THESE INSTRUCTIONS COMPLETELY.**

CAUTION:

- Installation must be in accordance with manufacturer's instructions, state codes, local codes and/or local authority.
- Do not install a damaged unit.
- Do not install near curtains or any combustible material.
- Do not connect to any gas other than specified on rating plate (located on unit casing).
- Do not leave this appliance unattended while burner is on.
- This appliance must be installed and serviced by an authorized person.
- Do not change unit from one type of gas to another (no converting).
- Do not use as space heater.
- When in use insure proper ventilation.
- When using gas appliances exercise caution and common sense.
- Unit must be level when in use.
- Do not use gasolines or other flammable vapors in the vicinity of this appliance.

SPECIFICATIONS:

MODEL: RETS-1NEA

TYPE: Gas Single-Burner Range

IGNITION METHOD: Piezo Electric

SAFETY DEVICE: Thermocouple Flame Failure Devices

WEIGHT: 4 lbs.

DIMENSIONS: 4"(h) × 11 1/2"(w) × 11 3/5"(d)

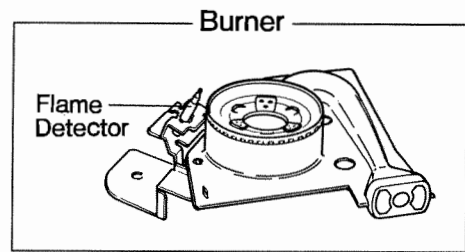
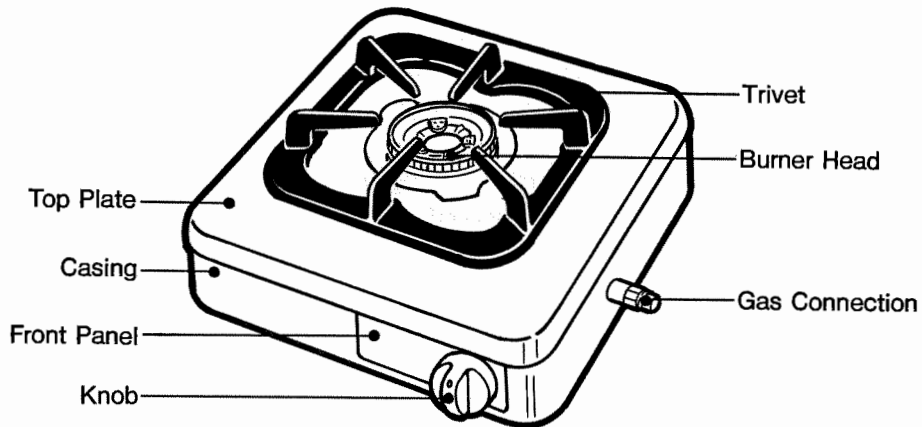
NG=12,000 btu

LP=10,400 btu

GAS CONNECTION: 3/8" MIP

See rating plate on unit for gas specification and type.

COMPONENT AND PART NAMES



Pre-Installation Preparation

- Remove paper and packaging material from all parts. Assemble as shown in the drawings above ("Part Names") and on the right. Firmly press down the four corners of the top plate.
- Do not use in a place where strong wind blows in. (The wind may extinguish the flame and activate flame sensor to shut off. Follow ignition instructions.)
- If inflammable objects (wooden walls, shelves, etc.) are present near the installation area, install the appliance so that the sides and the back of the appliance are at least 6" (15 cm) away from the inflammable wall. This also applies when a stainless or other plate is installed over the inflammable wall. There should be a minimum 40" (100 cm) clearance between the top of the appliance and an inflammable object such as a ceiling or a shelf. This, however, does not apply to a fireproof construction.

IGNITION

- Make sure the knob is at the “Off” position.
- Slowly turn the knob all the way to the left (counterclockwise), until you hear a click sound, and hold the knob in that position for 3 to 5 seconds. If you let the knob go too soon, the flame failure device may be activated, preventing ignition.
- If the flame goes out when you let the knob go, you need to hold the knob in position longer. Repeat the same procedure from the beginning, and hold the knob in position for a longer period, and then let the knob go slowly.
(Caution)

It may difficult to ignite the burner after a long period of non-use, due to the presence of air inside the rubber hose or pipe. In this case, repeat the ignition procedure 2-3 times.

- Turn the knob slowly between “Off” and “On” to find the proper level of flame. When using low flame, be careful about flame failure, since low flame may easily be blown out.
Always make sure the flame is burning.

Turning the Burner Off

- Turn the knob to the “Off” position to turn the burner off.
- The flame may make a noise when going out. This is normal.
- After use, make sure the flame is out, and always close the gas valve. Valve is in off position.

Maintenance

- Always perform regular inspection and maintenance.
- Do not use the appliance when failure or damage is suspected. Improper repair is dangerous. In case of a problem, contact the distributor.
- Check for clogging of burner due to spills.
- Is the top plate set correctly? Press down all four corners.
- If the flame is uneven, or the appliance is heavily soiled, remove the burner cap and rinse it with water, or clean it with metal wire.

(Caution)

After rinsing the burner cap with water, dry it completely before re-installing. Make sure the burner functions properly. If the burner cap is not completely dry, the inside of the appliance may be damaged.

When replacing the burner cap, always purchase a product with Code No. 151-040-000. No other product may be used.

- Do not use a stiff brush on the flame detector of the flame failure device. Make a habit of immediately wiping off a spill, to prevent failure and to prolong the life of the appliance.
- Wipe the top plate with a cloth dampened with kitchen detergent.

Limited Warranty

To the owner(s) of the equipment during the period of warranty coverage stated below, Rinnai warrants the equipment to be free of defects in materials and workmanship. This warranty is subject to the terms specified below. This warranty gives you specific legal rights and you may also have other rights which vary from state to state.

This warranty is limited to parts replacement and does not include any labor allowance. Any service charges for parts replacement are your responsibility.

SCOPE OF COVERAGE	PERIOD OF COVERAGE	TYPE OF FAILURE COVERED
All Parts	ONE YEAR from date of purchase	Defective materials or workmanship

All warranty service and/or replacement or parts must be performed for you by an individual or servicing company which has been qualified by Rinnai or its distributor. Sales receipt/proof of purchase is required.

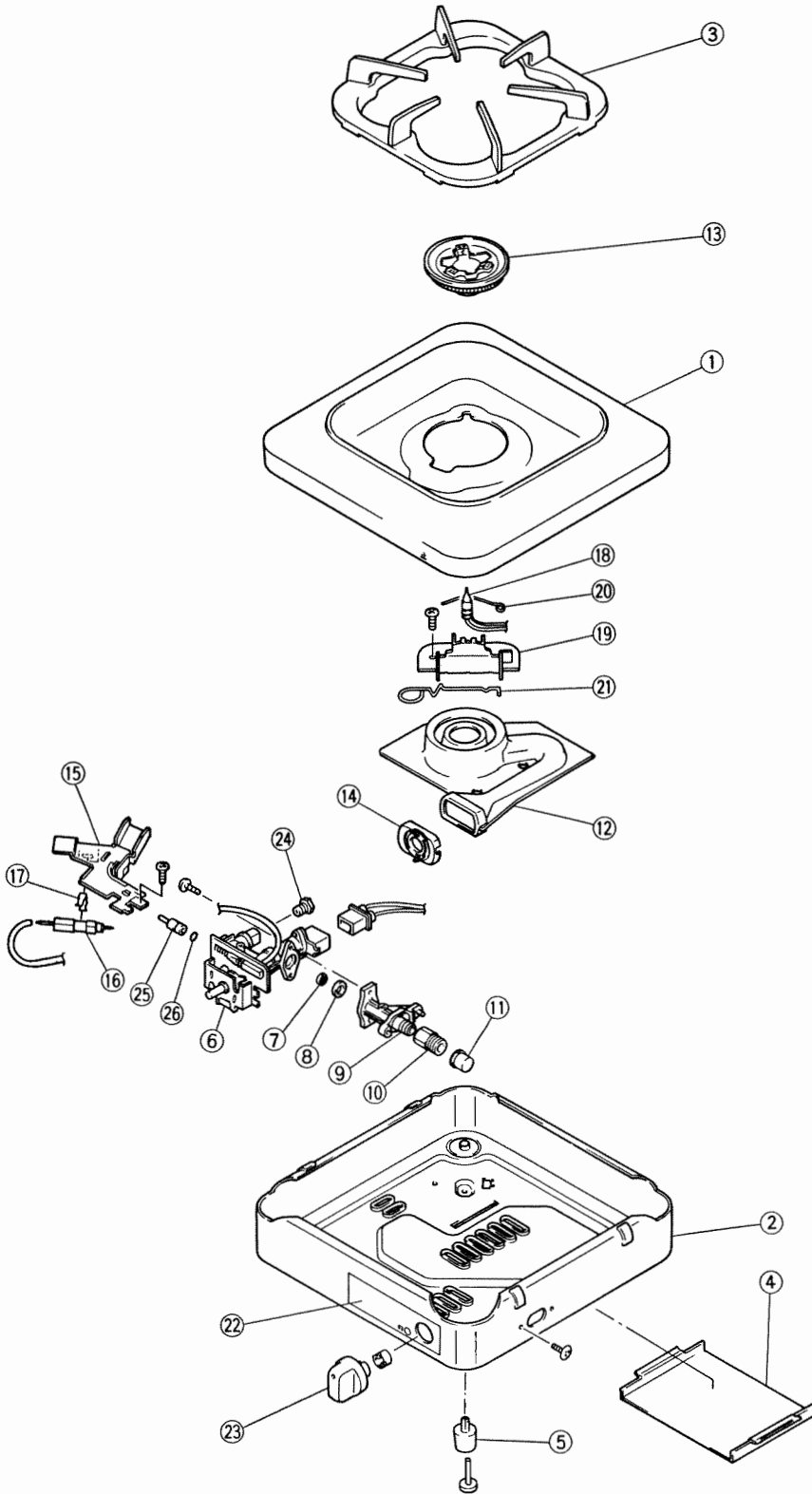
You may obtain the benefits of warranty coverage on a failed part by having the servicing company, distributor/dealer replace the parts and return it to Rinnai factory for inspection. If the failure is covered by warranty, there will not be any charge for the replacement part. Transportation charges for the shipment of the replacement part and the return of the failed part is your responsibility. Any such warranty replacement or repair shall be subject to the terms and conditions of this warranty for the remainder of the original period of coverage.

This warranty does not cover any failures or operating difficulties due to accident, abuse, misuse, alteration, misapplication, improper installation or improper maintenance or service.

Any implied warranties of merchantability and fitness applicable to the equipment are limited in duration to the period of coverage of this express written warranty. Some states do not allow limitation on how long an implied warranty lasts, so this limitation may not apply to you. **Rinnai is not liable for any special, indirect or consequential damages.** Some states do not allow the exclusion or limitation of incidental or consequential damages, so this limitation or exclusion may not apply to you.

Rinnai does not authorize any person or company to assume for it any other obligation or liability in connection with the sale, application engineering, installation, use, removal, return, or replacement of its equipment, and no such representations are binding on Rinnai.

PARTS SCHEMATICS FOR RET-1NEA



PARTS SCHEMATICS FOR RET-1NEA

No.	PART NAME	DRAWING No.	QTY
1	Top plate	1NE-12	1
2	Body	1NE-51-1	1
3	Grate	CP-20283N-2	1
4	Heat shield plate	2L-12	1
5	Rubber leg	CP-21440	4
6	Safety gas valve	C17K-2-6-200	1
7	Filter	C17C1-35	1
8	Packeing	C1711-5	1
9	Connecting metal	1NE-72	1
10	Connecting bush	CP-30215-1	1
11	φ13 Hose-end cap	CP-80815	1
12	BH Burner	CP-21485	1
13	BH Burner head	CP-21153	1

No.	PART NAME	DRAWING No.	QTY
14	Damper for Nat Gas	CP-21491	(1)
	Regulator for LP Gas	CP-21494	(1)
15	Pilot burner-left	CP-50814	1
16	Electrode	CP-50188	1
17	Plug holder	CP-50709	1
18	Thermo couple	C10A-85-1	1
19	BH Burner support	1NE-64	1
20	Spring	B2A23-21	1
21	Stop pin	1NE-13	1
22	Panel	1NE-65	1
23	Knob	CP-40461-17-4	1
24	Orifice	CP-60054	1
25	Pilot nozzle	CP-60041	1
26	O-Ring	C5G1-8	1

STAMP

TO: **Rinnai America Corporation**
 1662 Lukken Industrial Drive West,
 La Grange, Georgia 30240

Rinnai

AMERICA CORPORATION

1662 Lukken Industrial Drive West,

La Grange, Georgia 30240

Phone: 1-800-621-9419

Rinnai **WARRANTY REGISTRATION**

Owner's Name _____

Installation Address _____

City, State, Zip _____

Dealer's Name _____

Address _____

City, State, Zip _____

Type of Dealer (Hardware, RV, Boat, etc) _____

Model _____ Type of Gas _____

Serial No. _____

Date Purchased _____

PLEASE RETURN THIS CARD TO RINNAI WITHIN TWO WEEKS OF PURCHASE

RETS-INEA
Printed in Japan
INE-67

1999.08